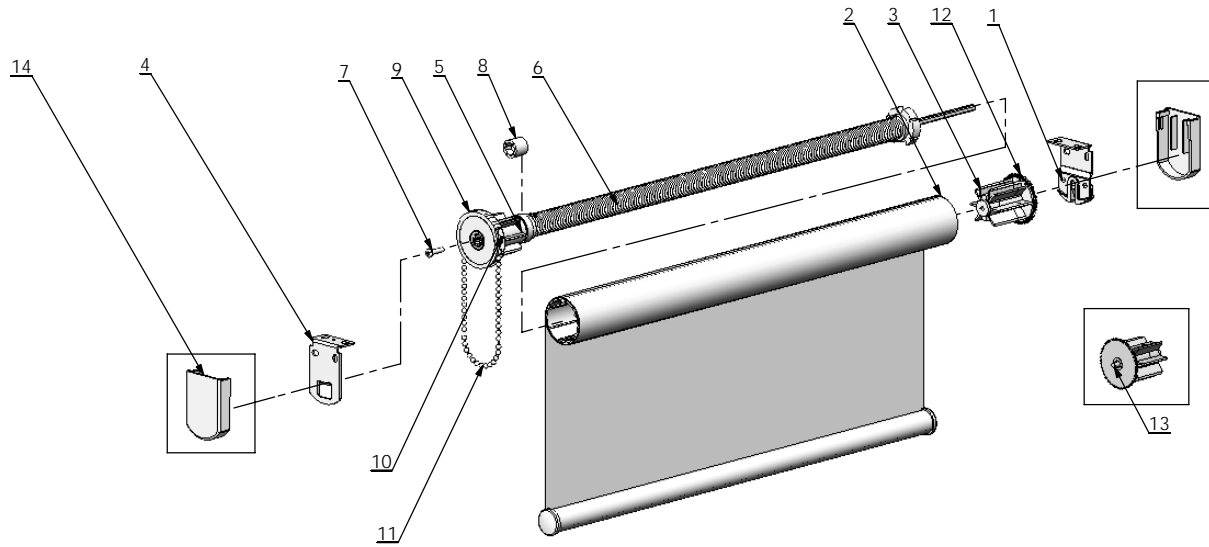


ITEM NO.	DESCRIPTION	QTY
1	Idle End Bracket	1
2	Blind	1
3	Auto-Idler	1
4	Chain Winder / Control Bracket	1
5	Chain Winder	1
6	Easy-Drive Spring Booster	1
7	Chain Winder Screw	1
8	Chain Winder End Cap	1
9	Chain Winder Cover	1
10	Chain Wheel	1
11	Chain	1
12	Auto-Idler Wheel	1
13	Auto-Idler Pin	1
14	Bracket Cover (Optional)	2



ROLLER-BLINDS

ROLLER BLINDS

INSTALLATION OPTIONS:

1. STANDARD ROLL

- Left-Hand Control, Left-Hand Booster (Left-Hand Install)
- Pre-tension Spring clockwise

2. STANDARD ROLL

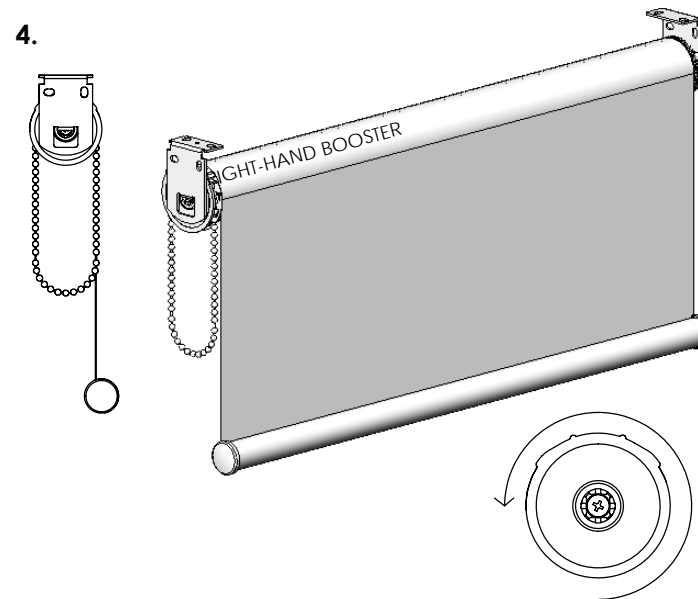
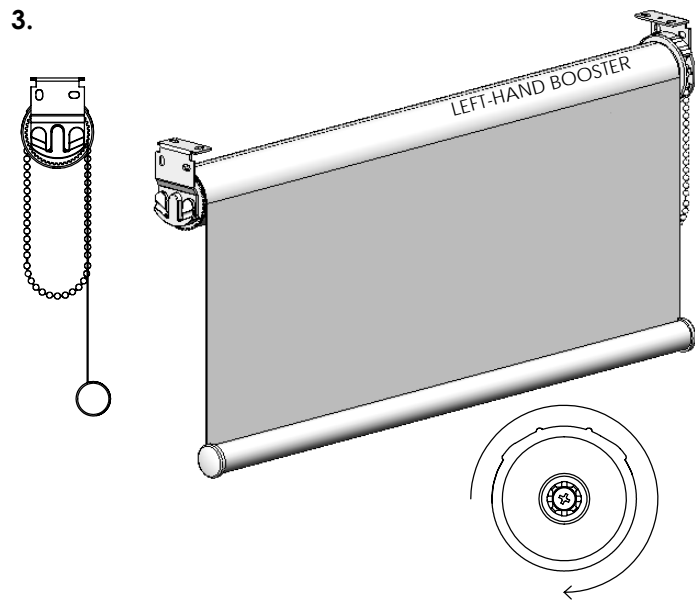
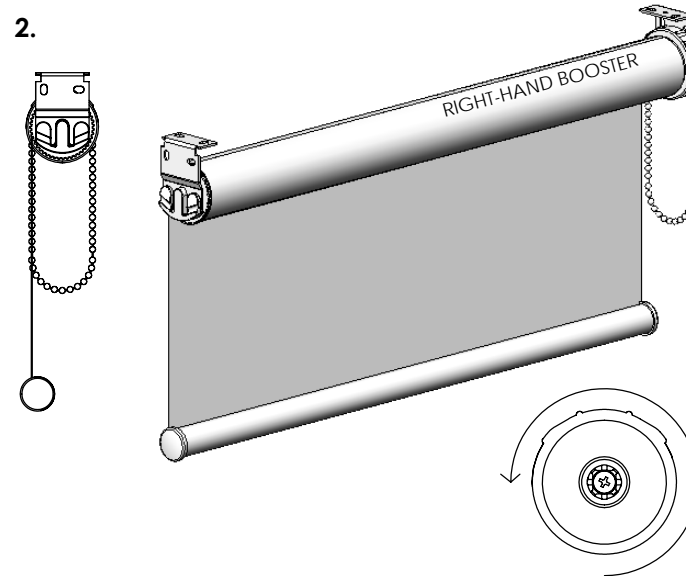
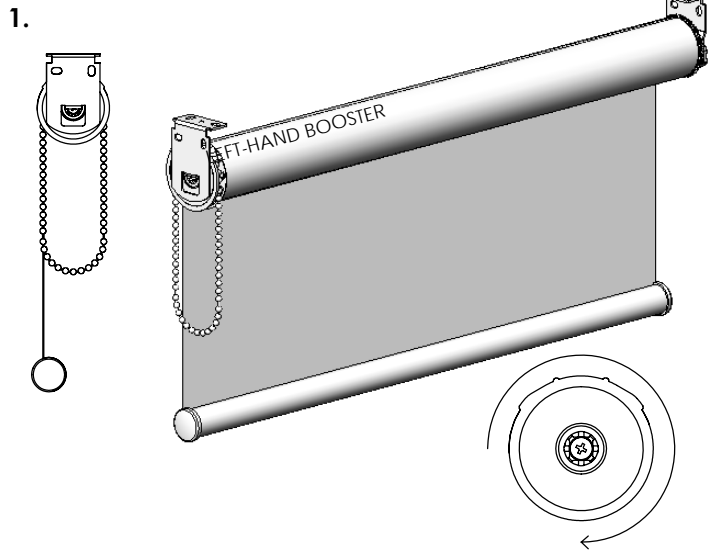
- Right-Hand Control, Right-Hand Booster (Right-Hand Install)
- Pre-tension Spring anti-clockwise

3. OVER ROLL

- Right-Hand Control, Left-Hand Booster (Right-Hand Install)
- Pre-tension Spring clockwise

4. OVER ROLL

- Left-Hand Control, Right-Hand Booster (Left-Hand Install)
- Pre-tension Spring anti-clockwise



ROLLER BLINDS

For instructional purposes, the following options have been shown:

- *Easy-Lock Chain Winder 'AC' Installation Brackets.*
- *Top Fix installation.*
- 'AC' Bracket Cover Caps.
- *RB08 'AC' Style Chain Winder.*
- *Installation Option 1 - Standard Roll, Left-Hand Control, Left-Hand Booster (Left-Hand Install).*

ASSEMBLY INSTRUCTIONS

STEP 1:

- Using a screw driver, slightly unscrew the Chain Winder Screw to loosen the *Chain Winder Cover* sufficiently to allow the *Chain* to fit onto the *Chain Wheel*.

STEP 2:

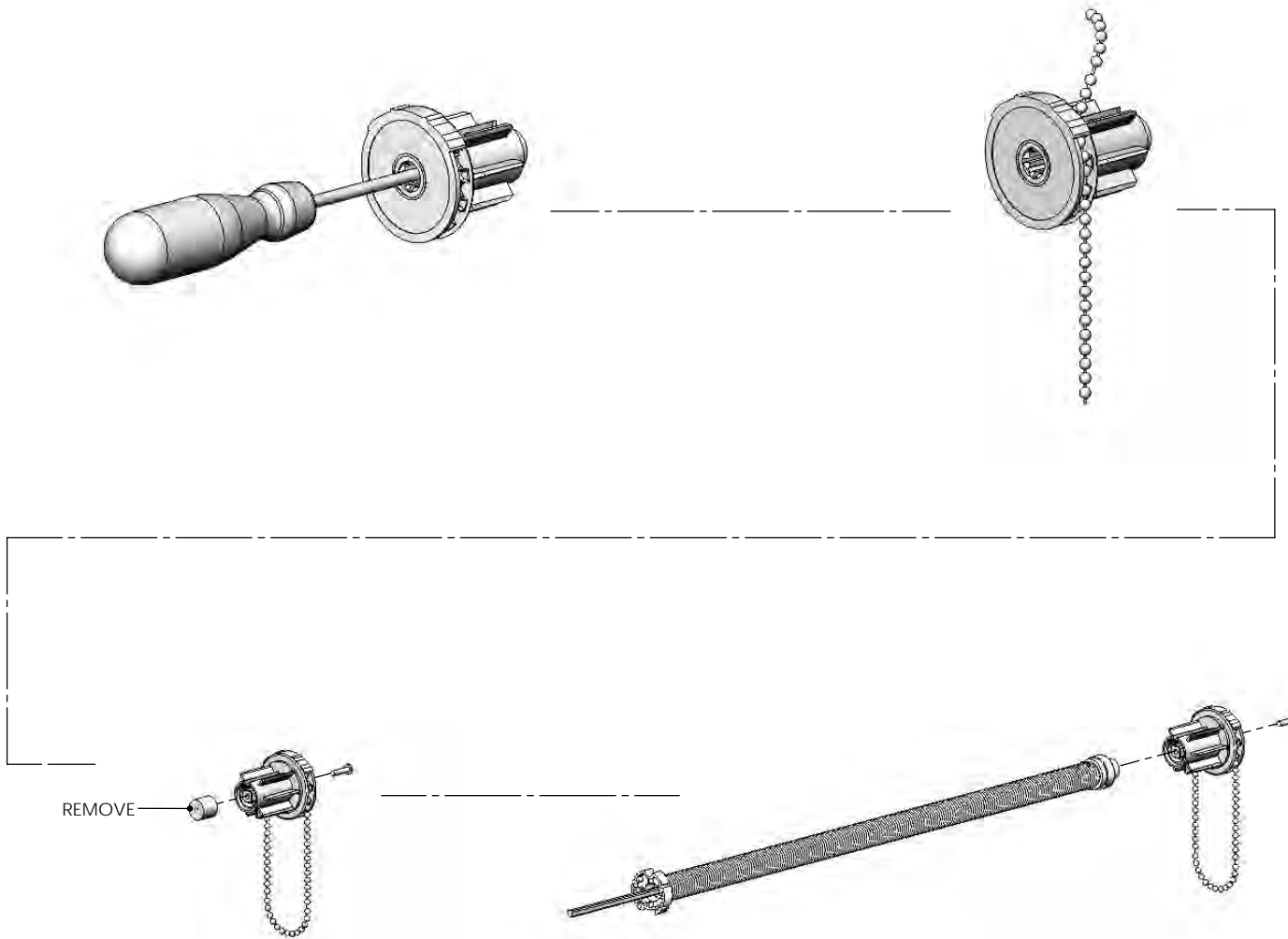
- Insert the *Chain* between the *Chain Wheel* & *Chain Winder Cover*.
- Slide the *Chain* around the *Chain Wheel* until the *Chain* is properly engaged with the *Chain Wheel*.
- Do not force the *Chain* onto the *Chain Wheel*.
- Using a screw driver, tighten the *Winder Screw* securely.

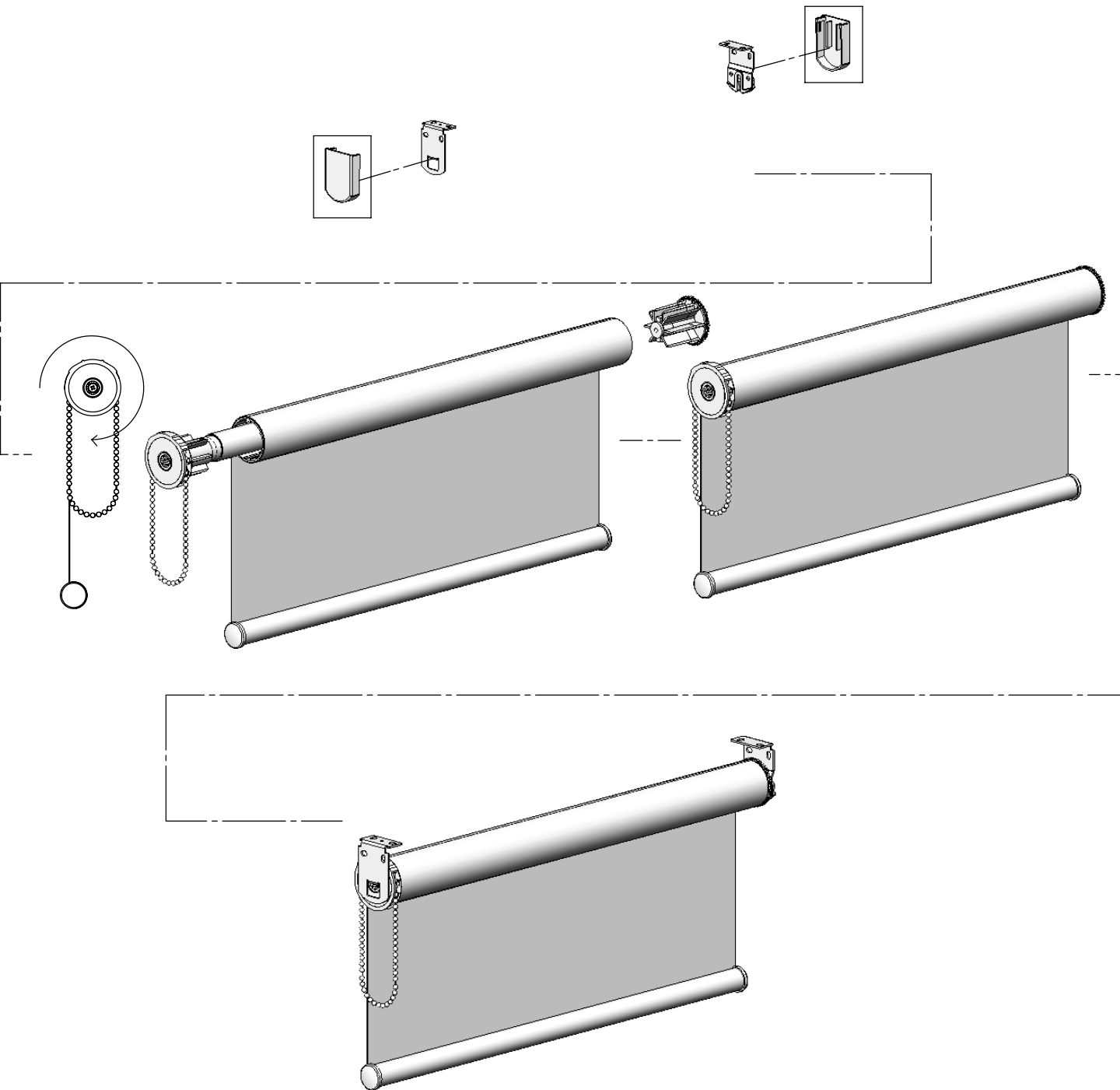
STEP 3:

- Unscrew *Winder Screw* from *Chain Winder*.
- Remove *Winder End Cap* from *Chain Winder* and discard.

STEP 4:

- Using the *Winder Screw*, fix the *Chain Winder* to the *Easy-Lift Retrofit*.





ROLLER BLINDS

INSTALLATION INSTRUCTIONS

STEP 1:

- Taking into consideration the Blind Deductions (refer to Technical Leaflet for further information), mount *Chain Winder / Control Bracket* & *Idle End Bracket* in desired position to wall or ceiling with screws.
- Slide *Bracket Covers* over *Brackets* if desired.

STEP 2:

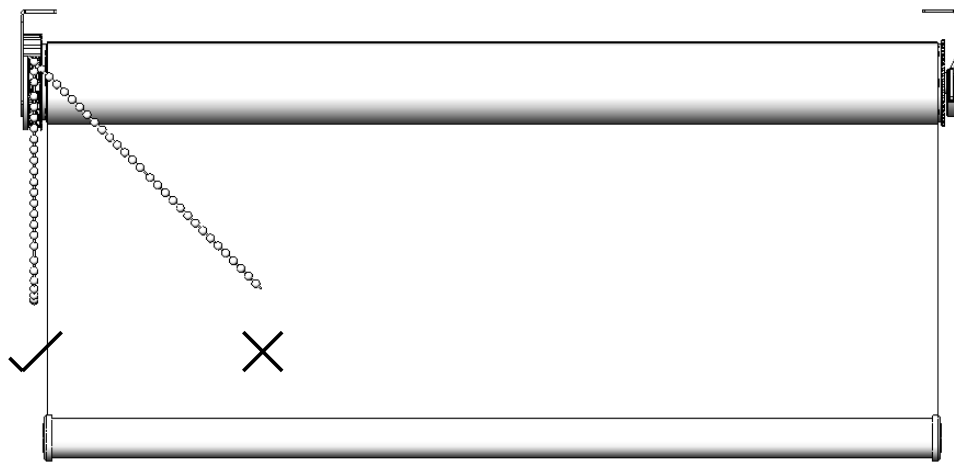
- Install *Easy-Lift Retrofit* (with *Chain Winder* attached) and *Auto-Idler* into tube. Ensure *Easy-Lift Retrofit Left-Hand* is installed in left hand side of tube.
- Measure the *Blind* width, *Blind* drop & fabrics weight.
- Calculate the number of turns required to pre-tension the Spring to obtain optimum performance. (Refer to Technical Leaflet for further information).
- With the *Chain Winder* withdrawn from tube, hold *Blind* pre-tension spring the required number of turns by rotating *Chain Winder* clockwise.

STEP 3:

- Keeping spring wound, re-install *Chain Winder* into tube.

STEP 4:

- Mount *Chain Winder* onto *Chain Winder / Control Bracket*.
- Mount *Auto-Idler* onto *Idle End Bracket*. Ensure the *Auto-Idler Pin* is fully released prior to installation.
- When the *Auto-Idler Pin* is engaged with the *Idle End Bracket*, a click will be heard. Ensure *Blind* is fixed Securely.



ROLLER BLINDS

OPERATIONAL INSTRUCTIONS

- When operating the Chain Winder, the Chain should be held in a vertical position.

This will ensure:

- The fabric is not damaged.
- Noise reduction during operation.
- The blind will lift evenly.

ROLLER BLINDS

BLIND REMOVAL

STEP 1:

- Rotate *Auto-Idler Wheel* towards ground (clockwise) to retract the *Auto-Idler Pin*. Continue rotating *Auto-Idler Wheel*, until the *Auto-Idler Pin* is locked in place and fully retracted.

STEP 2:

- Disengage the *Auto-Idler* from the *Idle End Bracket* whilst supporting the *Blind*.
- Remove the *Blind* from the *Chain Winder / Control Bracket*.

STEP 3:

- Release the *Auto-Idler Pin* by rotating the *Auto-Idler Wheel* towards the ceiling (anti-clockwise).

