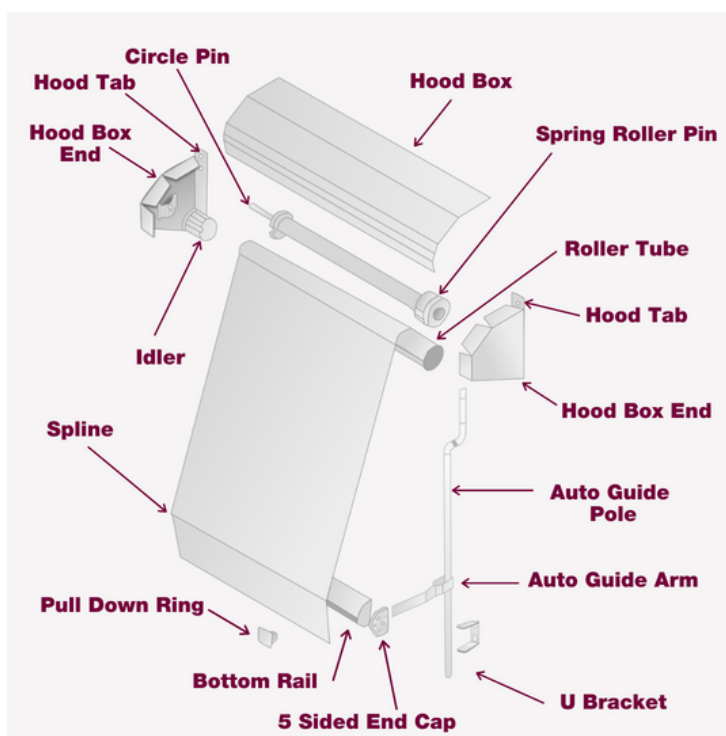


**Auto Awnings****Guide to Auto Awning Parts**

Before you start to install the awning, check the measurements on your window and on the product received. Please also ensure you have all the correct tools and parts for installation.

**Tools Required**

- Cordless screw gun
- Tape measure
- Drill with hammer option
- Hammer
- Spirit Level
- Wall plug
- Screws - please see Appendix 1 for details
- Drill bits
- Dyna Bolts. - please see Appendix 1 for details

**1. Installing the Hood Box****1.1 Determine over hang and find attachment point**

Determine the over hang of your Hood Box on each side of your window. This can be done by firstly measuring the Width of the Hood Box and then the Width of the Window. Then, calculate the difference between the two by subtracting the window measurement from the Hood Box measurement. Divide this amount by two to get the exact over hang on each side.



## Auto Awnings

e.g (Hood Box Width - Window Width) / 2 = Over Hang on each side  
(3150mm - 3000mm) / 2 = 75mm

Once you have determined the over hang, you can find the attachment point, which will be 15mm less than the over hang. For example, 75mm-15mm = 60mm

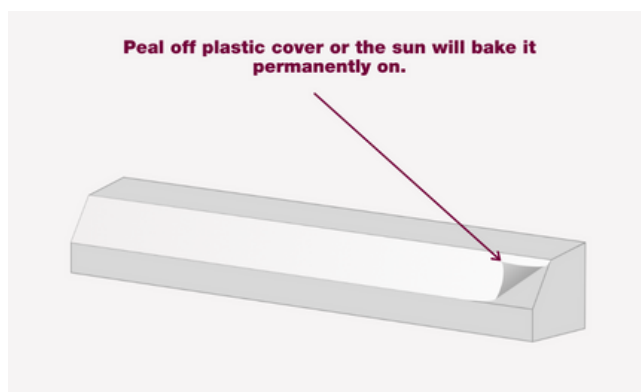
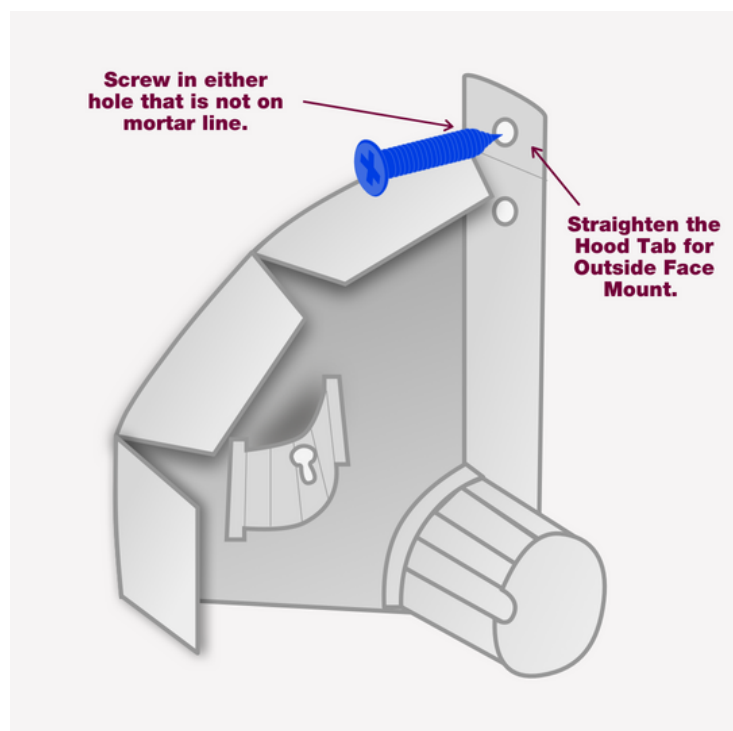


### 1.2 Attach Hood Box

The screw on the Left side should be placed on the top left corner of the window. Your Hood Box is 180mm high, so mark a line for your screw and drill a hole 180mm above your window, at the attachment point. Please be careful not to drill into the mortar line if you are drilling into a brick wall. If your required position falls on a mortar line, simply move up to the middle of the next brick up. In general we recommend you drill directly in the centre of the brick to ensure the integrity of the brick itself and prevent damage. Insert the wall plug and screw ensuring you leave approx. 15mm of the screw out so that you can hang the Hood Box on it.

Following the above, hang the left tab of the Hood Box over the screw. Then, ensure the Hood Box is level with the top edge of the window by lifting the right side of the Hood Box. Once in position, mark where the right hand screw will go. Take the Hood Box off the window and insert your right hand screw as per the left hand screw. Hang the Hood Box on the screws and then fasten the screws in tightly. Drill and secure the bottom of the Hood Box each side through either of the lower inside holes that are not on a mortar line.

Use a Spirit Level to ensure the Hood has been installed level.



Check your installation surface in order to identify the most appropriate screws to use.

See Appendix 1 at the end for the External Blinds & Awnings Fixing Screws and Bolts Guide.

Please note, we do not provide screws as we are unable to determine the installation surface.

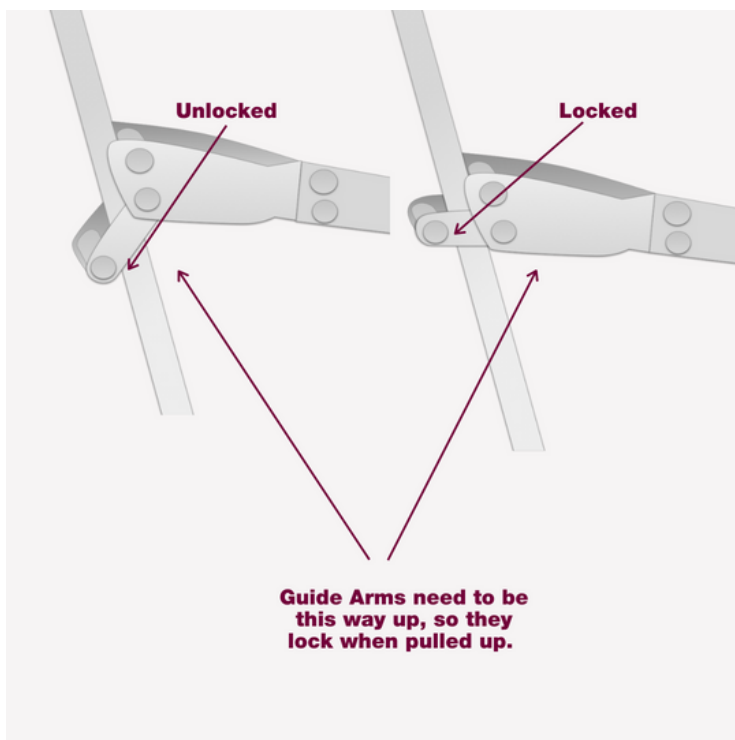


## Auto Awnings

### 2. Installing the Guides

#### 2.1 Insert Guide Arms into Guide Poles

When inserting the Guide Arms into the Guide Poles, please be sure they are inserted the correct way up as shown in the following illustration.



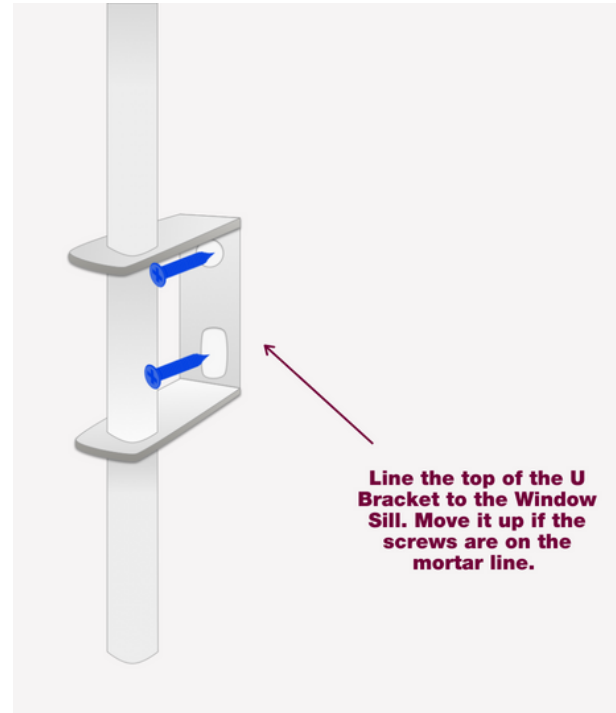
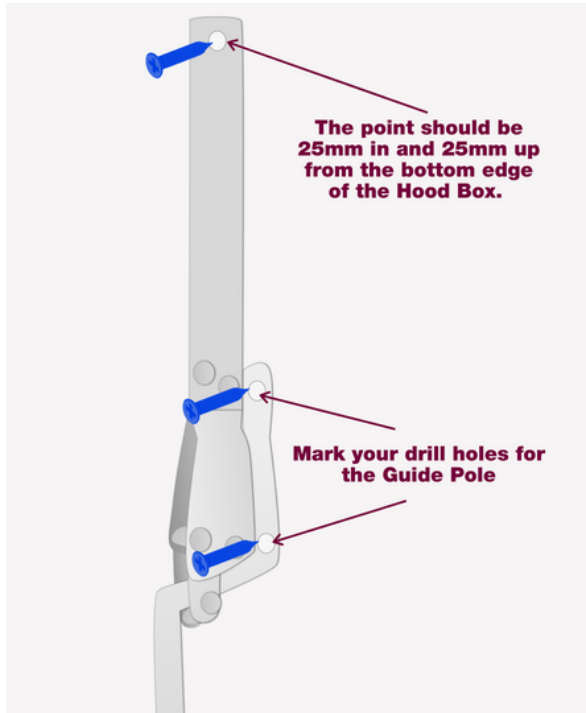
#### 2.2 Secure Guide Poles to Walls

Hold the Guide Arm with the Guide Pole attached to the window's top corner. Please ensure that the top of the Guide Arm is placed 25mm in and 25mm up from the bottom edge of the Hood Box. While in this position, mark guide holes for the Guide Arm to attach.

Secure your Guide Pole to the wall by drilling in the Guide Arm. Then slide the U Bracket onto the Guide Pole and attach the U Bracket to the wall. Please ensure that the top of the U Bracket is level with the window sill and that the Guide Pole is running parallel to the window.



## Auto Awnings



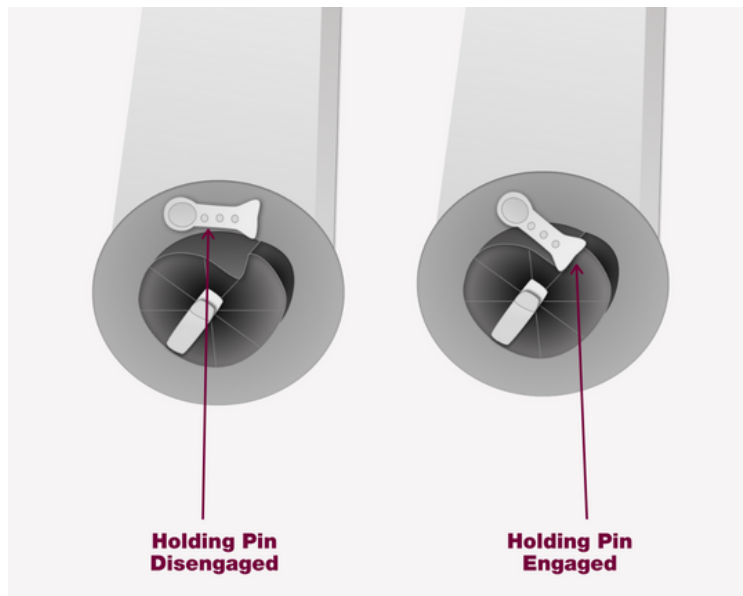
### 3. Tension the Roller Pin

#### 3.1 Apply Tension to the Roller Pin

Before tensioning the spring consider safety:

- Position yourself correctly to hold the tube
- Secure the adjusting spanner in a firm position
- Turn the spanner securely and firming in a consistent motion

To apply tension, attach the Shifter to the Roller Pin and wind clockwise. To determine how many turns of tension are required, please refer to Appendix 2 at the end of this document. The spring has a lot of force in it, so it is important not to let go of the Shifter while tensioning. It is also very important not to over tension the spring. Finally, drop the holding tab down and wind the spring back until it engages the pin once you applied the correct amount of tension.



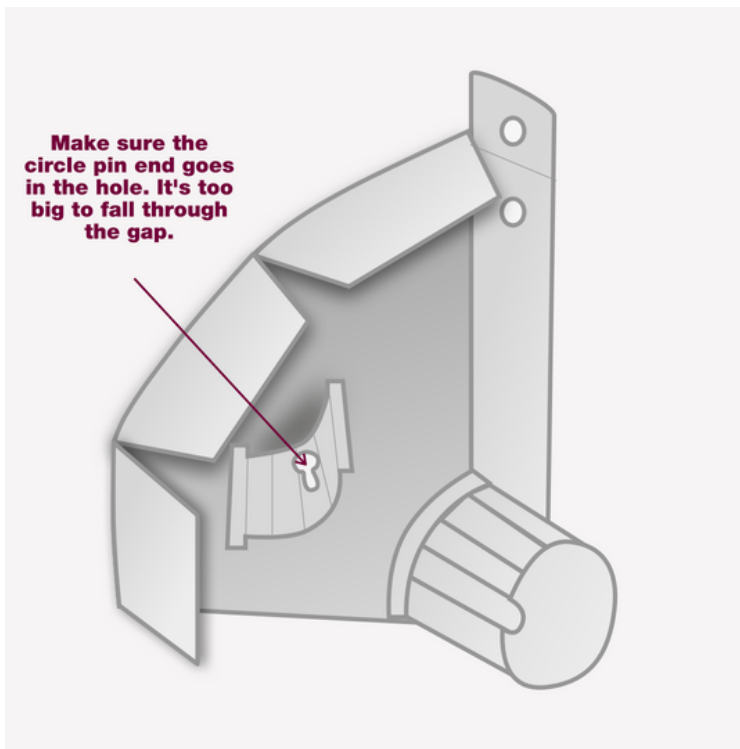


**Auto Awnings**

**4. Attaching Fabric and Roller**

**4.1 Attach Fabric and Roller to the Hood Box**

Take the plastic cover off the fabric and Insert the round pin side first. Make sure the pin goes in the hole, not sitting on top of the groove. Drop the spring side into the slot second.



**4.2 Attach Fabric to the Guide Arms**

Pull the bottom rail down and hold it level with the Guide Arm. Unscrew the bolt/grub screw off the 5 sided end cap and attach the end of the arm to the bottom rail at the point where you took the screw out, put the bolt back in place to ensure you have a tight and secure attachment. You should have even tightness on both sides when the awning is pulled down. However, if you one side is tighter that the other, this indicates that the Hood Box is not sitting level. Pull down and twist the Bottom Rail to release the Guide Arms and move your blind up and down.

**Questions:**

For any questions please contact our customer service team on 1300 852 912 (Mon- Friday 9-5pm) or email us at [info@blinds-on-the-net.com.au](mailto:info@blinds-on-the-net.com.au).



# Appendix.

## 1. External Blinds & Awnings Fixing Screws and Bolts Guide

Below is a guide to the types of screws and fixings suitable for the secure fit of heavier Outdoor Blinds and Awnings.

Each situation is different and you will need to make your selection based on the type of Blind, the overall size, the surface you are installing to and it's exposure to weather. Its always best to oversecure. it's better to be safe than sorry!

Auto awning: up to 5000 wide, main head box brackets 60mm x 10g, 4 off with washer for timber install - 75mm x 8mm Dyna bolt for brick or concrete. Use 50mm x 10g, 8 off for securing the metal side runners and U brackets , include green raw plugs if installing into brick or concrete.

Ext Wire Guide Roller: up to 5000 wide, main head box brackets 60mm x 10g, 6 off with washer for timber install - 75mm x 8mm Dyna bolt for brick or concrete. For bottom of wire guide 40mm x 10g, 2 off - Use a green raw plug for brick or concrete. Alternatively use a 40mm x 6mm Dyna bolt.



**Countersunk (Zenith)**

10g x 50mm  
Available in Metal or Timber thread  
Stainless

Used to side fix channels or wire guide bottom bracket.



**Wafer / Button Head (Buildex)**

8g x 50mm  
Available in Metal or Timber thread

Used to face fix channels.



**Roofing & Cadding Hex Head (Buildex)**

12g x 50mm  
Available in Metal or Timber thread

Used to fix universal brackets.



**Ramplug / Green Plug (Ramset)**

50mm Length

Used to fit brick or concrete.



**Dyna Bolt (Ramset)**

6mm x 30mm

Used to face fix channels.

**Dyna Bolt (Ramset)**

8mm x 50mm

Used to fix universal brackets.



**Countersunk (Ramset)**

4.5mm x 30mm  
Stainless

Used to side fix wire guide bottom brackets.



**Auto Awnings**

# Appendix.

## 2. Size Guide for Tensioning

Awning Length	Rolled Up Turns*	Extended Turns
8'	5	11
9'	5	11
10'	5	11
11'	5	11
12'	5	11
13'	6	12
14'	6	12
15'	7	13
16'	7	13
17'	9	15
18'	9	15
19'	10	16
20'	10	16
21 & above	10	16

\*Add 6 additional turns to Roller Pin when Awning is fully extended.